



Tetra Pak® High Shear Mixer

Pilot unit B200-100VA



Test before you invest

The Tetra Pak® High Shear Mixer for test purposes has all the functionality of our commercial-scale systems to help you optimize your manufacturing processes. Test results can be directly scaled up to full-scale production.

Pilot plant testing can be conducted in either of our development facilities where we assess the performance of your current recipes, ingredients and processes to identify the most suitable technology for your needs.

Benefits

Through the testing and assessment of recipes, we are often able to optimize your processes, resulting in shorter production cycles and lower production losses. Our highly efficient mixing technology may also create opportunities to reduce certain ingredients such as flavourings and colourings.

Installation

A forklift or pallet lifter can lift the test mixer during transport. The mixer should be positioned on a level floor and levelled before pipes and so on are connected.

Functionality

- Agitator speed control
- Agitator with tank wall scraper
- Compact design
- Control panel
- Direct steam injection
- Dynamic stator
- Jacket heating & cooling
- Jacket temperature control
- Knife
- Lid lift
- Powder/liquid addition
- Powder/liquid funnels
- Pressure tank
- Product temperature control
- Sight glass
- Steam & cooling control
- Turbo mixer
- Turbo mixer variable speed control
- Vacuum

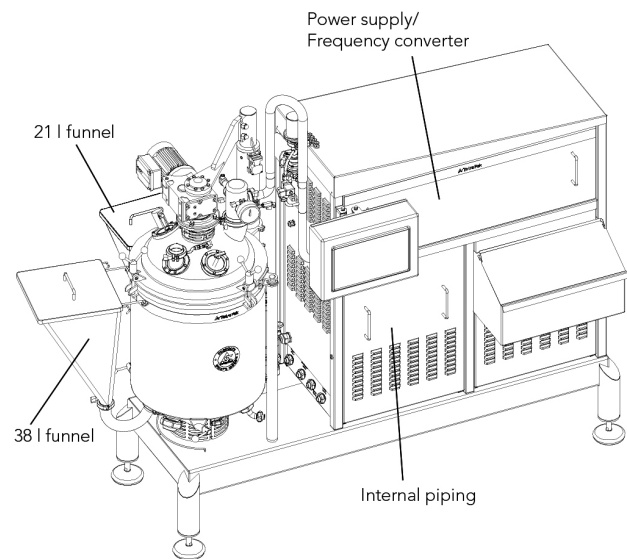
Tetra Pak® High Shear Mixer

Technical data

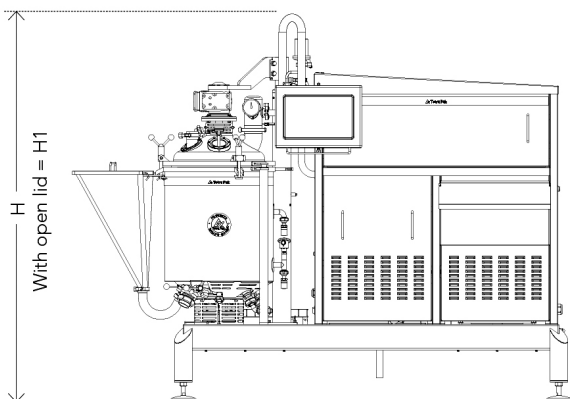
Processing parameters	B200-100VA
Capacity, l/batch	100
Dry matter, %	≤ 80
Viscosity, cP	≤ 100 000
Consumption data	
Installed power, kW	33/38
Power supply	3x380-480 V, 50/60 Hz, 80A
Mixing temperature (no vacuum)	≤ 90°C
Mixing temperature (vacuum)	≤ 70°C
Steam inlet, mm Ø25 SMS	
Condensate outlet, mm Ø25 SMS	
Steam 4-5 bar, kg/h 100	
Steam quality Dry & culinary steam	
Cooling water inlet, mm Ø25 SMS	
Cooling water outlet, mm Ø25 SMS	
Cooling water 1-2 bar, kg/h 800	
Instrumental air, NI/h 100	
Air inlet, mm Ø8	
Air pressure 6 bar	
Service water inlet, mm Ø25 SMS	
Service water, l/h 50	
Product outlet, mm Ø51	

Dimensions

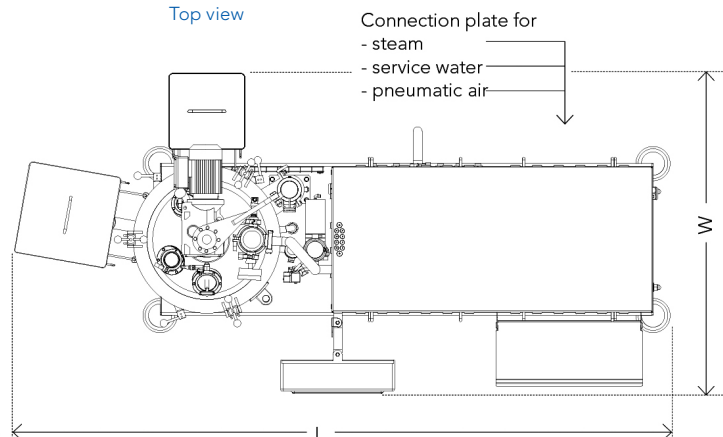
Dimensions	B200-100VA
Lenght, mm	2 900
Width, mm	1 400
Height, mm	2 100
Height with open lid, mm	2 650



Side view



Top view



We reserve the rights to introduce design modifications without prior notice. Tetra Pak, & and PROTECTS WHAT'S GOOD are trademarks belonging to the Tetra Pak Group.

www.tetrapak.com

Tetra Pak®